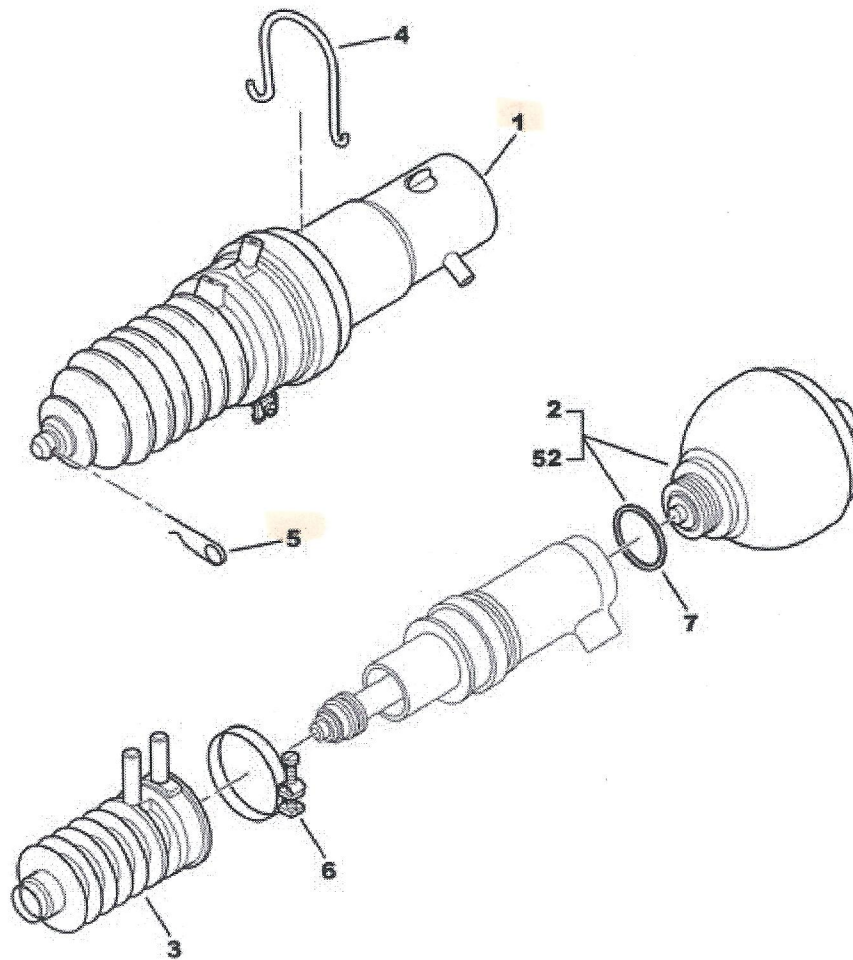


29/03/18 434710  
CYLINDRES SPHERES SUSPENSION AR



03/2012

00049238